

ÖZKAN LEAD WATER TO THE NEXT LEVEL.

member of HAWLE Austria Group





TILTING TYPE CHECK VALVES





WHY?

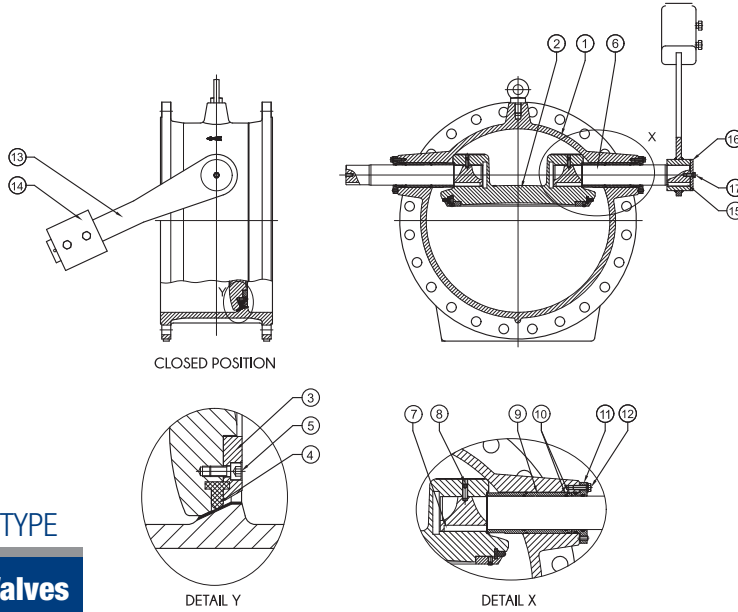
TILTING TYPE CHECK VALVES

- Short body, small volume and light weight
- Shafts protrude on both sides of the body and allow the lever and counter weight to be mounted on the right or left side, both vertical and horizontal pipeline applications.
- Disc swings freely. The disc opening depends on the flow velocity
- Adjustable weight offers the adaptability to the individual working conditions.
- Metal to metal or resilient seating options.
- Maintenance free design.





MATERIAL PROPERTIES

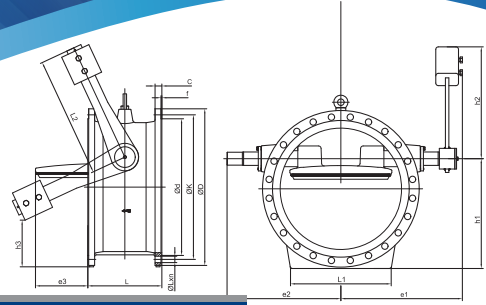


TILTING TYPE

Check Valves

PART NO	DESCRIPTION	MATERIAL
1	Body	Duclite iron EN-GJS-400-15
2	Disc	Duclite iron EN-GJS-400-15
3	Retaining ring	Steel S235JR
4	Sealing ring	EPDM
5	Hex. socket head cap screw	Stainless steel A2
6	Shaft	Stainless steel X20Cr13
7	Key	Steel Ck45
8	Hex.socket set screw	Stainless steel A2
9	Bearing bush	Bronze
10	O-ring	EPDM
11	Cover	Ductile cast iron EN-GJS-400-15
12	Hex.bolt	Stainless steel A2
13	Lever	Steel S235JR
14	Weight	Steel S235JR
15	Key	Steel Ck45
16	Cover	Steel S235JR
17	Bolt	Stainless steel A2

* Other material grades are available upon request



TILTING TYPE

Check Valves

DN	PN	ØD	ØK	Ød	C	f	ØLxn	L	L1	L2	e1	e2	e3	h1	h2	h3
100	10	220	180	156	19	3	19x8	190	-	200	200	184	-	135	188	26
125	10	250	210	184	19	3	19x8	200	-	200	223	207	-	156	188	47
150	10	285	240	211	19	3	23x8	210	-	200	245	230	9	180	188	69
200	10	340	295	266	20	3	23x8	230	-	200	268	252	35	220	188	107
250	10	405	350	319	22	3	23x12	250	-	300	325	305	68	265	285	92
300	10	460	400	370	24.5	4	23x12	270	285	300	340	317	87	315	285	142
350	10	520	460	429	26.5	4	23x16	290	250	400	410	382	117	357	372	140
400	10	580	515	480	28	4	28x16	310	370	400	440	412	138	400	372	182
450	10	640	565	530	30	4	28x20	330	425	450	470	443	165	442	418	204
500	10	670	620	582	26.5	4	28x20	350	460	500	520	490	188	470	465	200
600	10	780	725	682	30	5	31x20	390	470	600	570	546	238	550	555	237
700	10	910	840	794	39.5	5	31x24	430	580	700	700	661	305	640	653	273
800	10	1025	950	901	43	5	34x24	470	655	800	745	711	355	723	743	314
900	10	1125	1050	1001	46.5	5	34x28	510	680	900	800	780	400	797	830	348
1000	10	1255	1160	1112	50	5	37x28	550	690	1000	870	863	460	887	935	360
1200	10	1455	1380	1328	45	5	41x32	630	810	1200	960	938	568	1040	1113	427
1400	10	1675	1590	1530	46	5	44x36	710	900	1400	1240	1205	682	1205	1305	482

* Please contact us for other sizes and pressure rates

DN	PN	ØD	ØK	Ød	C	f	ØLxn	L	L1	L2	e1	e2	e3	h1	h2	h3
100	16	220	180	156	19	3	19x8	190	-	200	200	184	-	135	188	26
125	16	250	210	184	19	3	19x8	200	-	200	223	207	-	156	188	47
150	16	285	240	211	19	3	23x8	210	-	200	245	230	9	180	188	69
200	16	340	295	266	20	3	23x12	230	-	200	268	252	35	220	188	107
250	16	405	355	319	22	3	28x12	250	-	300	325	305	68	265	285	92
300	16	460	410	370	24.5	4	28x12	270	285	300	340	317	87	315	285	142
350	16	520	470	429	26.5	4	28x16	290	250	400	410	382	117	357	372	140
400	16	580	525	480	28	4	31x16	310	370	400	440	412	138	400	372	182
450	16	640	585	548	30	4	31x20	330	425	450	470	443	165	442	418	204
500	16	715	650	609	31.5	4	34x20	350	460	500	520	490	188	492	465	222
600	16	840	770	720	36	5	37x20	390	535	600	590	567	238	580	555	267
700	16	910	840	794	39.5	5	37x24	430	580	700	700	661	305	640	653	273
800	16	1025	950	901	43	5	41x24	470	655	800	745	711	355	723	743	314
900	16	1125	1050	1001	46.5	5	41x28	510	680	900	800	780	400	797	830	348
1000	16	1255	1170	1112	50	5	44x28	550	690	1000	870	863	460	887	935	360
1200	16	1485	1390	1328	57	5	50x32	630	810	1200	960	938	568	1055	1113	442
1400	16	1685	1590	1530	60	5	50x36	710	900	1400	1240	1210	682	1210	1305	487

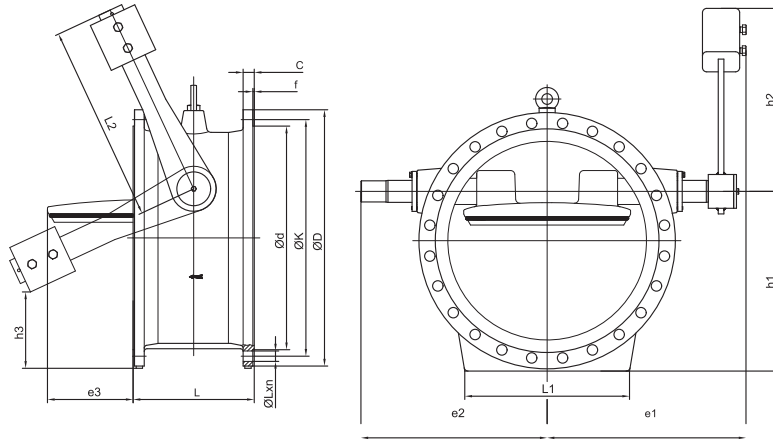
* Please contact us for other sizes and pressure rates

PN-10 TECHNICAL INFORMATION

PN-16 TECHNICAL INFORMATION



**PN-25
TECHNICAL
INFORMATION**



TILTING TYPE

Check Valves

DN	PN	ØD	ØK	Ød	C	f	ØLxn	L	L1	L2	e1	e2	e3	h1	h2	h3
100	25	235	190	156	19	3	23x8	190	-	200	200	184	-	143	188	33
125	25	270	220	184	19	3	28x8	200	-	200	223	207	-	166	188	57
150	25	300	250	211	20	3	28x8	210	-	200	245	230	9	186	188	73
200	25	360	310	274	22	3	28x12	230	-	200	268	252	35	230	188	117
250	25	425	370	330	24.5	3	31x12	250	280	300	330	317	68	285	285	111
300	25	485	430	389	27.5	4	31x16	270	310	400	390	362	87	328	370	112
350	25	555	490	448	30	4	34x16	290	250	400	435	410	117	375	372	160
400	25	620	550	503	32	4	37x16	310	370	400	490	469	138	420	376	192
450	25	670	600	548	34.5	4	37x20	330	425	500	510	488	167	457	465	187
500	25	730	660	609	36.5	4	37x20	350	460	500	570	554	188	500	465	230
600	25	845	770	720	42	5	41x20	390	535	600	625	610	238	582	555	270
700	25	960	875	820	46.5	5	44x24	430	610	700	715	698	306	665	647	300
900	25	1185	1090	1028	55.5	5	50x28	510	620	900	835	795	400	838	850	335

* Please contact us for other sizes and pressure rates.



Phone: +90 232 328 06 00 **Fax:** +90 232 328 06 09 **E-mail:** info@oz-kan.com.tr
Adress: 10008 St.No:15 Atatürk Organize Sanayi Bölgesi 35620 **Çiğli/İzmir/TURKEY**
www.oz-kan.com.tr

member of HAWLE Austria Group

